

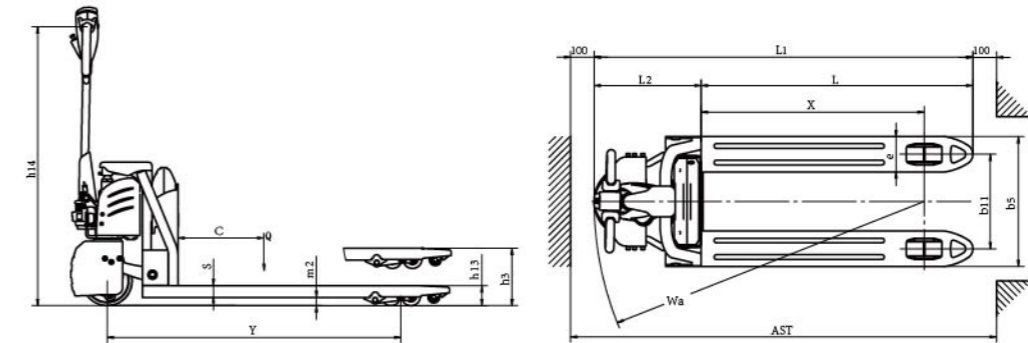
CBD15/18/20J-Li-S Lithium Battery Powered Pallet Truck

Characteristics:

- Simple, flexible, light weight and small turning radius make the truck suitable use in extremely narrow aisle.
- The main parts are wrapped with protective cover, which is safe, reliable and easy to disassemble, and convenient for maintenance and repair.
- Same hydraulic pump with the hand pallet, simple and reliable
- Integrated handle integrates key and meter make the operation easy and comfortable.
- Portable lithium-battery pack provides easy and speedy battery change.
- Emergency reversing device ensure safety operation.
- The magnetic brake and motor brake are used to ensure the driving safety.
- Multiple battery capacity options meet the demand of different working conditions.

Manufacturer's Data and Design Characteristics

Characteristics		HELI													
		CBD15J-Li-S				CBD18J-Li-S				CBD20J-Li-S					
		Pedestrian propelled				Pedestrian propelled				Pedestrian propelled					
1.1	Manufacturer	HELI													
1.2	Model	CBD15J-Li-S				CBD18J-Li-S				CBD20J-Li-S					
1.3	operator type	Pedestrian propelled				Pedestrian propelled				Pedestrian propelled					
1.4	rated capacity	Q (kg)				1500				2000					
1.5	lift height	h3 (mm)				200				200					
1.6	Service weight with battery	kg				142	144	146	149	142	144	146	149	146	149
1.7	Load centre	c (mm)				600				600					
1.8	Axle centre to fork face	x (mm)				944				944					
1.9	Wheel base	y (mm)				1243				1243					
1.10	Controller	Curtis/Domestic(Optional)				Curtis/Domestic(Optional)				Curtis/Domestic(Optional)					
Wheels															
2.1	Tyre type	Polyurethane				Polyurethane				Polyurethane					
2.2	Tyre size, driving wheels	Φ × w (mm)				Φ210 × 70				Φ210 × 70					
2.3	Tyre size, loading wheels	Φ × w (mm)				Φ80 × 60				Φ80 × 60					
2.4	Wheels, number front/rear (x = driven)	1x/4				1x/4				1x/4					
2.5	Track width, rear, loading side	b11 (mm)				400/535				400/535					
Dimensions															
3.1	Overall length	l1 (mm)				1603				1603					
3.2	Length to fork face	l2 (mm)				453				453					
3.3	Overall width	b1 (mm)				550/685				550/685					
3.4	Fork dimensions	s/e/l (mm)				50/150/1150				50/150/1150					
3.5	Width of forks	b5 (mm)				550/685				550/685					
3.6	lowered height	h13 (mm)				85				85					
3.7	Min.Ground clearance	m2 (mm)				35				35					
3.8	height drawbar in driving position min. / max.	h14 (mm)				740/1160				740/1160					
3.9	Aisle width with pallet 1000 x 1200 across forks	Ast (mm)				1804				1804					
3.10	Aisle width with pallet 800 x 1200 along forks	Ast (mm)				1854				1854					
3.11	Min.Turning radius	Wa (mm)				1398				1398					
Performance															
4.1	Travel spees,with/without load	(km/h)				4.2/4.5				4.2/4.5					
4.2	Max. gradeability laden/unladen	(%)				5/10				5/10					
4.3	Service brake type	Electromagnetic brake				Electromagnetic brake				Electromagnetic brake					
Drive and Battery															
5.1	Drive motor,output S2 60 min.	(kW)				0.75				0.75					
5.2	Lift motor rating at S3 15%	(kW)				0.8				0.8					
5.3	Battery according to DIN 43531/35/36 A,B,C,no	No				No				No					
5.4	Battery voltage/rated capacity	(V/Ah)				24/20	24/30	24/40	24/60	24/20	24/30	24/40	24/60	48/20	48/30
5.5	Battery weight (± 5%)	(kg)				6	7.8	10.2	13.2	6	7.8	10.2	13.2	10.2	13.2
5.6	charger specification	24V/10A				24V/10A				48V/5A					
Others															
6.1	Type of drive control	DC				DC				DC					
6.2	sound pressure level at the driver' s ear	dB(A)				≤ 70				≤ 70					
6.3	Steering type	Mechanical steering				Mechanical steering				Mechanical steering					



Design&Print:Fokeli Printing 20220511



ANHUI HELI CO., LTD.

Add / No.668, FangXing Road, Hefei, China

Fax / +86-551-63639966

Tel / +86-551-63639068(America); 63639258(Europe); 63639358(Asia);

63662105(Africa & Middle East); 63639530(Overseas Marketing)



LinkedIn



YouTube



Facebook